



# OASIS<sup>®</sup> Water Coolers

## RADII<sup>™</sup> FOUNTAIN

### F140R

#### Suggested Specification

Model F140R shall include a push pad to activate the flow of water. Fountain shall be designed to eliminate splashing and standing water. Bubbler shall have flexible guard and operate between 20 and 120 psi. Shall be certified by Canadian Standards Association. Shall comply with ANSI A117.1 and ADA. Shall comply with the Safe Drinking Water Act and Lead Contamination Control Act. Shall comply with ANSI/NSF 61.

RADII<sup>™</sup> Fountain meets the needs of the physically challenged and the able bodied.

#### Model

**F140R** A light press of the push pad activates the water flow.

#### Standard Features

- Built in 100 micron strainer stops particles before they enter the waterway
- Flexible bubbler guard
- Lead free materials and waterways
- Brushed stainless steel finish
- Limited one year warranty

#### Finishes

- Standard Finish: Stainless Steel
- Optional Finish (at additional cost) Regency Bronze

#### Options (at additional cost)

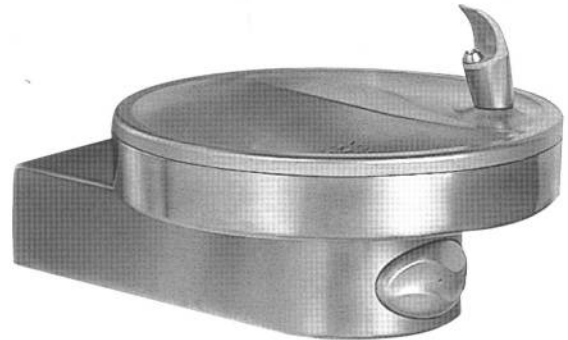
- Stainless steel bubbler

#### Installation

- Prior to roughing-in, consult local, state and federal codes for proper mounting height

#### Weight

- Net weight approximately 19 lbs.



**ADA Compliant** (when installed in an alcove or with right and left wing walls.)



Components in this fountain are lead free as defined by the Safe Drinking Water Act Amendments of 1986, and the Lead Contamination Control Act of 1988.

**Limited 1-Year Warranty** (Continental limits of the United States and Canada only): One year from date of installation on parts only. Detailed warranty certificate enclosed with each drinking fountain; sample copy available upon request.



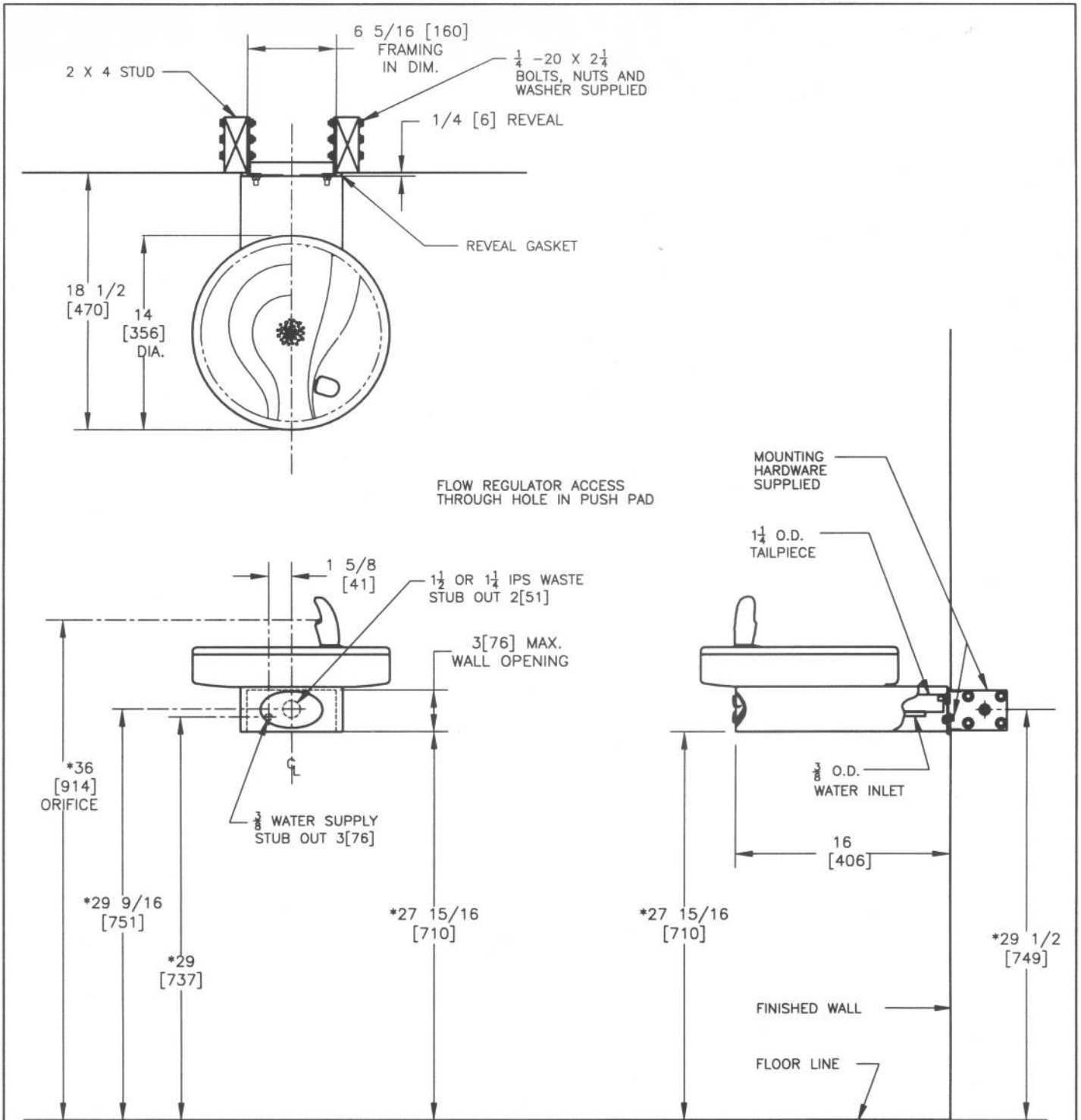
Models covered by this specification complies with all known Plumbing Codes. Certified by Canadian Standards Association.



Water Coolers are classified by Underwriters Laboratories Inc. in accordance with ANSI/NSF 61.

**Export Warranty:** One year on component parts. Detailed warranty certificate enclosed with each drinking fountain; sample copy available upon request.

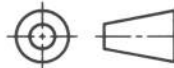
# OASIS® RADII™ FOUNTAIN MODEL F140R



**NOTES:**

- \*1. RECOMMENDED ADULT HEIGHT INSTALLATION SHOWN. ADJUST VERTICAL DIMENSIONS AS REQUIRED TO COMPLY WITH FEDERAL, STATE AND LOCAL CODES.
- 2. STOP VALVE, TRAP, PIPE CONNECTOR TO WASTE LINE AND 3/8 COMP. FITTING NOT PROVIDED.
- 3. ALL DIMENSIONS ARE IN INCHES. DIMENSIONS IN PARENTHESES [ ] ARE IN MILLIMETERS.

THIRD ANGLE PROJECTION



ROUGHING-IN AND DIMENSIONAL DRAWING

Form 3938