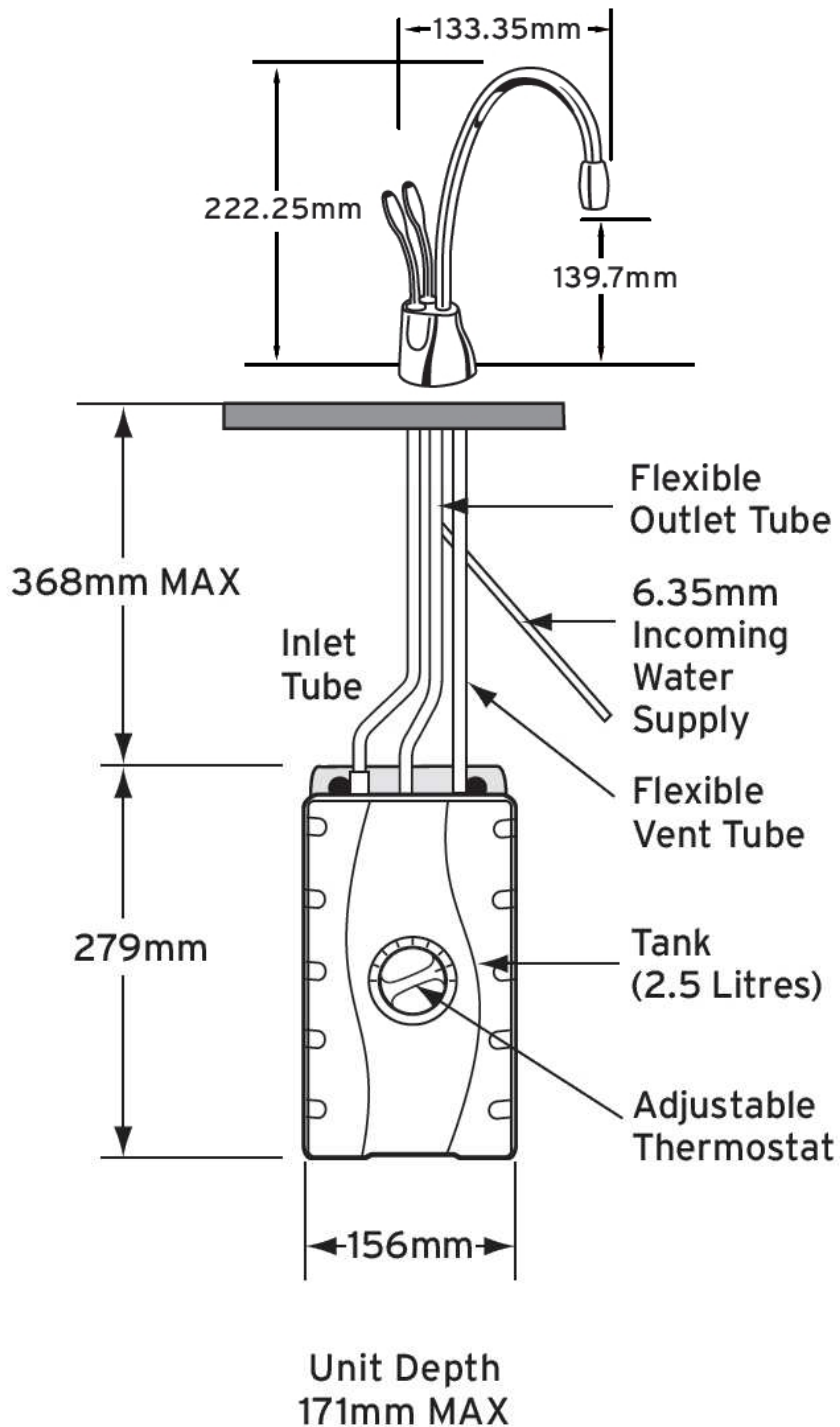


## InSinkErator F-HC1100C Faucet



\* Minimum 67mm required from sink hole center to backsplash

\*\* 35-38mm required hole diameter for faucet stand

\*\*\* Maximum counter thickness is 76mm