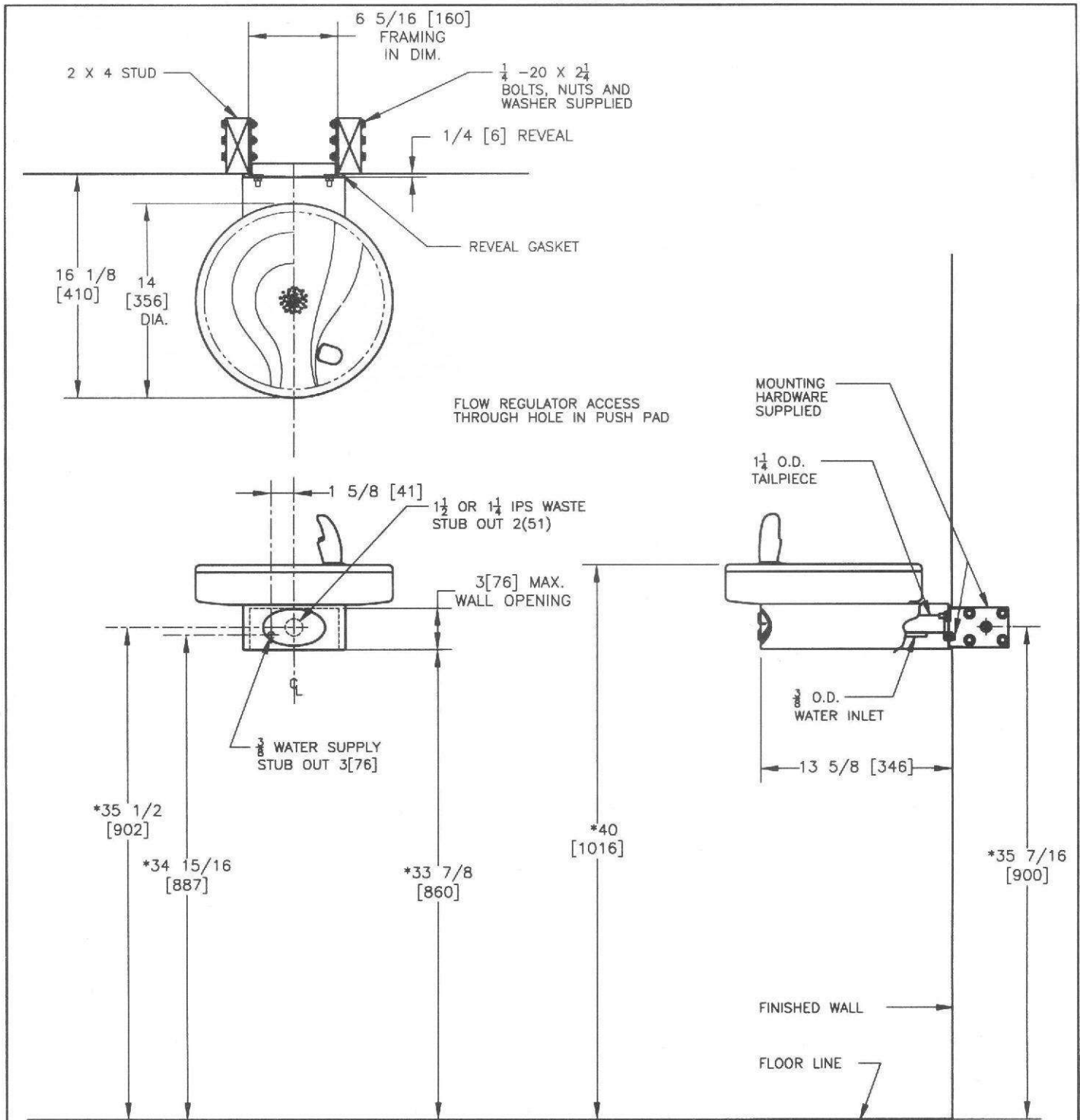


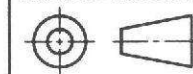
# OASIS® RADII™ FOUNTAIN MODEL F110R



**NOTES:**

- \*1. RECOMMENDED ADULT HEIGHT INSTALLATION SHOWN. ADJUST VERTICAL DIMENSIONS AS REQUIRED TO COMPLY WITH FEDERAL, STATE AND LOCAL CODES.
- 2. STOP VALVE, TRAP, PIPE CONNECTOR TO WASTE LINE AND 3/8 COMP. FITTING NOT PROVIDED.
- 3. ALL DIMENSIONS ARE IN INCHES. DIMENSIONS IN PARENTHESES [ ] ARE IN MILLIMETERS.

THIRD ANGLE PROJECTION



ROUGHING-IN AND DIMENSIONAL DRAWING